

Angle-seat valves with external pilot control and a self-aligning valve disc. Suitable for neutral or aggressive gaseous or liquid media that are compatible with the materials used.

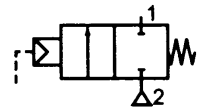
Angle-seat valve with pneumatically operated piston actuator, single-acting (normally closed).
Fluid entry under the piston.

Any mounting position.

- Very high flow due to angled seat design
- Water hammer prevented by fluid entry under the disc
- Suitable for vacuum operation (low vacuum)
- Max. viscosity 600 cSt
- Maintenance-free pilot head
- The fixed direction of flow means that no pressure surges occur when the valve is operated
- Self-aligning sealing plate guarantees tight closing

Medium temperature	-10 °C to 180 °C
Ambient temperature	-20 °C to 70 °C
Differential pressure	0 - 16 bar
Permissible static pressure max.	16 bar
Pilot fluid temperature max.	60 °C
Housing	Bronze
Sealant	PTFE
Stem	Stainless steel
Operator	Polyamide (glass fibre-reinforced)
Connectors	Stainless steel
Control air port	G 1/8

NC



Angle-seat valve with piston actuator, NC function							
Art. No.	Type No.	Thread	DN	Max. operating pressure difference bar	Piston	Pilot pressure min. / max. bar	Kv m ³ /h
133197	3362.01	G 1/2	15	16	Nickel-plated brass	4 / 10	5.7
133198	3362.02	G 3/4	20	10	Nickel-plated brass	4 / 10	10.5
133199	3362.03	G 3/4	20	16	Nickel-plated brass	4 / 10	10.8
133200	3362.04	G 1	25	11	Nickel-plated brass	4 / 10	20
133201	3362.05	G 1	25	16	Nickel-plated brass	4 / 8	20
133202	3362.06	G 1 1/4	32	14	Nickel-plated brass	4 / 8	29
133203	3362.08	G 1 1/2	40	11	PBT + GF 30 %	4 / 8	46
133204	3362.09	G 1 1/2	40	16	PBT + GF 30 %	4 / 8	46.5
133205	3362.10	G 2	50	10	PBT + GF 30 %	4 / 8	67

Accessoire for angle-seat valves with piston actuator		
Art. No.	Type No.	Description
131434	NAP	NAMUR adaptor for angle seat valve series 3362 and 3363, G 1/2 - G 2



3362.04



NAP

Department eDocumentation

Phone +49 7125 9497-41, -42, -53, -260, -330

Fax +49 7125 9497-99

e-mail: eDocumentation@riegler.de

edition 02/2024

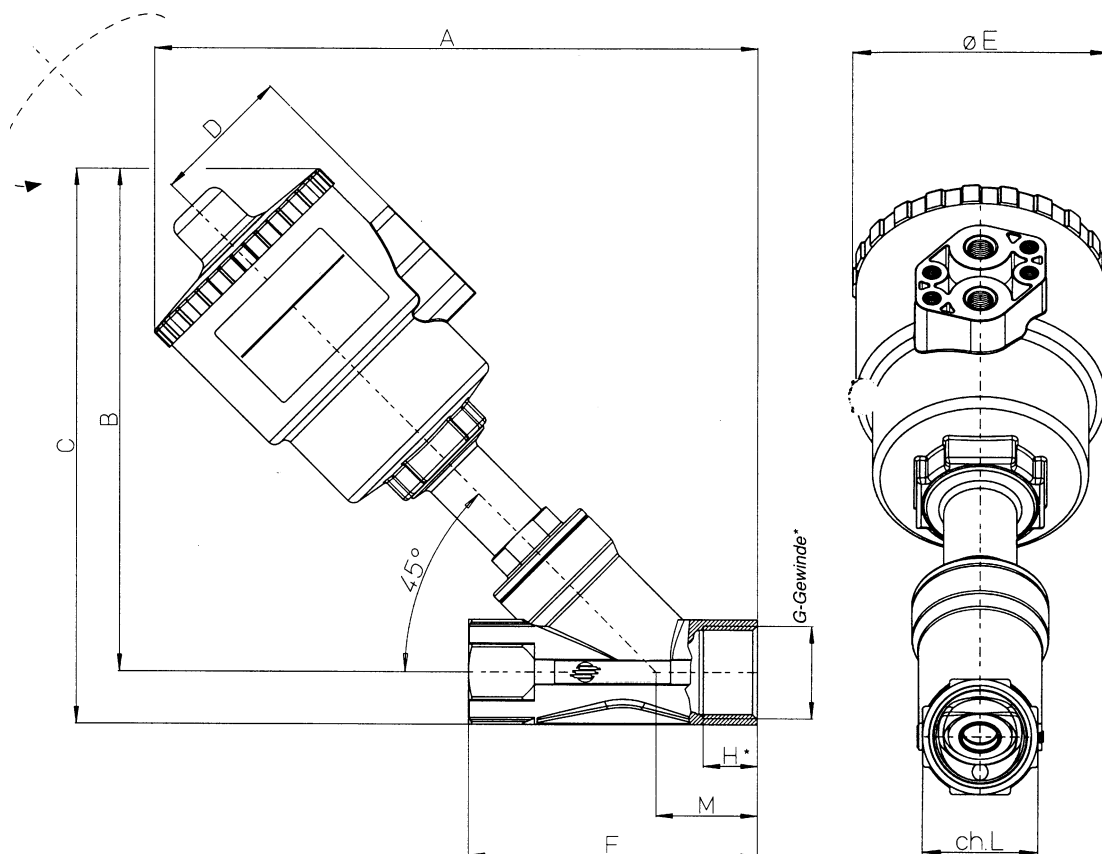
RIEGLER & Co. KG

www.riegler.net Subject to technical changes and errors reserved. The

proficiency testing is the responsibility of the user. The specified data do not represent legally guaranteed properties

Angle-seat valves with piston actuator bronze version

Art. No. 133197 to 133205



Angle-seat valve with piston actuator, NC function

Art. No.	Type No.	Thread	Actuator Ø	A mm	C mm	F mm	B mm	D mm	ØE mm	H mm	a/f mm
133197	3362.01	G 1/2	50	163.0	153.0	65.0	140.0	44.0	70.0	13.0	27
133198	3362.02	G 3/4	50	173.0	163.0	75.0	147.0	44.0	70.0	14.3	27.5
133199	3362.03	G 3/4	63	191.0	181.0	75.0	165.0	50.5	84.4	14.3	27.5
133200	3362.04	G 1	63	206.0	196.0	90.0	176.0	50.5	84.4	17.5	41
133201	3362.05	G 1	90	246.0	236.0	90.0	216.0	66.2	116.4	17.5	41
133202	3362.06	G 1 1/4	90	255.0	245.0	110.0	220.0	86.2	116.4	19.0	50
133203	3362.08	G 1 1/2	90	270.0	264.0	120.0	235.0	66.2	116.4	18.0	58
133204	3362.09	G 1 1/2	110	306.0	300.0	120.0	271.0	77.4	140.6	18.0	58
133205	3362.10	G 2	110	316.0	311.0	150.0	276.0	77.4	140.6	20.0	70